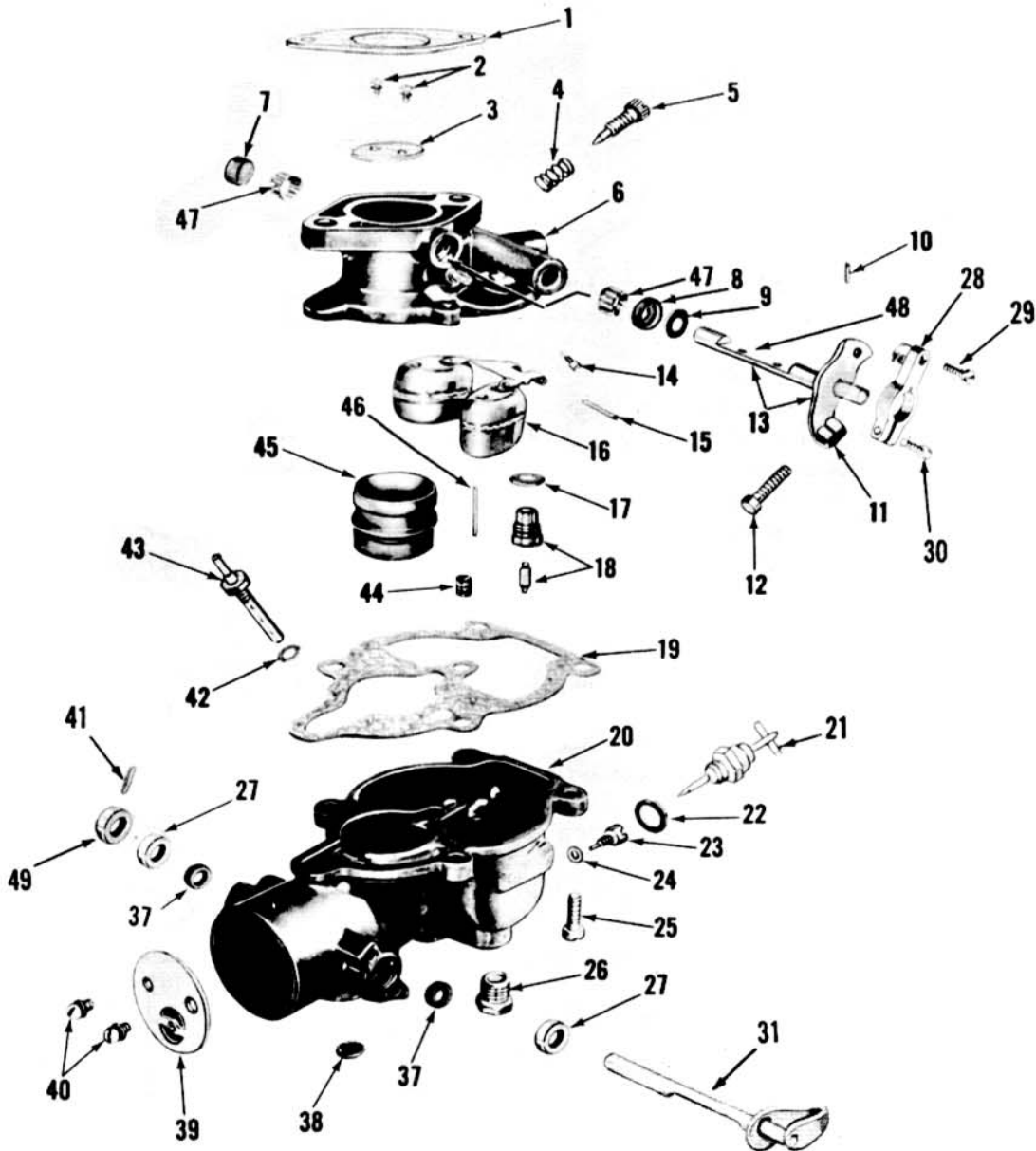


GRAVELY-ZENITH 68-7 CARBURETOR NO. 12108-D-(GRAVELY NO. L-806) SERVICE PARTS LIST

Effective Date: October 1, 1962



GRAVELLY TRACTORS
Division Studebaker Corporation
DUNBAR, WEST VIRGINIA

<u>Part No.</u>	<u>No. Req'd.</u>	<u>Part Name</u>	<u>Ref. No. Photo 2539 C</u>	<u>List Price</u>
* B2-209H-1	1	Body-Throttle Assembly	6	9.00
C9-75	2	Bushing Throttle Shaft	47	.20
CT48-9	1	Seal Throttle Shaft	8	.35
CT52-57	1	Retainer Shaft Seal	9	.07
C131-38	1	Plug Shaft Hole	7	.06
* C229-12108	1	Shaft & Stop Lever-Throttle	13	2.20
C23-680	1	Shaft Throttle	48	1.05
* CR28-104	1	Lever-Throttle Stop Assembly	11	1.15
T8S8-12	1	Screw Throttle Stop	12	.06
CT63-9	1	Taper Pin-Stop Lever	10	.06
C21-176	1	Plate-Throttle	3	1.30
* T315B5-4	2	Screw- Throttle Plate	2	.08
* C24-11BN-1X2	1	Lever- Throttle Clamp	28	1.90
T8S10-9	1	Screw-Lever Clamp	30	.06
T8S8-6	1	Screw-Lever Swivel	29	.06
C46-6	1	Needle-Idle Adjusting	5	.70
* C111-205	1	Spring-Idle Needle	4	.25
C85-28	1	Float	16	1.70
C120-4	1	Axle-Float	15	.20
C142-68	1	Gasket-Bowl to Body	19	.11
T301S10-10	4	Screw-Bowl To Body Assembly	25	.06
* B3-121-D-5	1	Bowl-Fuel	20	8.95
C135-29	1	Disc-Drain	38	.20
CT57-4	2	Washer-Shaft Packing	37	.06
C131-4X2	2	Retainer-Shaft Packing Washer	27	.06
C63-224	1	Tube-Idle Filler	46	.50
C101-79	1	Plate-Choke	39	1.30
* T315B5-4	2	Screw-Choke Plate	40	.08
* C108-257-1	1	Shaft & Lever-Choke	31	1.60
C130-4	1	Collar-Shaft Thrust	49	.06
CT63-8	1	Taper Pin-Thrust Collar	41	.06
CT91-3	1	Plug-1/8 Pipe-Bowl Drain	26	.20
C71-21	1	Adjustment-Main Jet	21	1.70
T56-23	1	Washer-Jet Adjustment	22	.06
B38-74-17	1	Venturi	45	2.25
* C52-7-25	1	Jet-Main	23	1.35
T56-24	1	Washer-Main Jet	24	.06
C55-6-12	1	Jet-Idle	14	1.00
C66-114-40	1	Jet-Discharge	43	1.20
T56-48	1	Washer-Discharge Jet	42	.06
C77-18-20	1	Jet-Well Vent	44	.55
C81-17-35	1	Valve & Seat-Fuel	18	1.65
T56-20	1	Washer-Fuel Value Seat	17	.06
L-301-B	1	Gasket-Flange	1	.06
C181-329	1	Gasket Set		.45
K12108	1	Repair Kit		4.34

NOTE: Parts indented are part of the preceding complete assembly.

* New Parts not in previous Carburetor 12108-A.